

IPS122 Series 2 Inch Stainless Steel Indicating Pressure Switches

High purity applications

- » Compact unit for easy installation into new or existing gas systems
- » Local or remote indication of switch interlock to guard against undesirable process pressure conditions to ensure process accuracy and protect product yields
- » High purity for use in all application environments



Product Description

Celerity's IPS122 Series 2 Inch stainless steel indicating pressure switches provide a high-purity, precision pressure gauge and electronic switch with adjustable pressure switch setpoint. This compact 2 inch unit has the ability to operate lights or relays up to a maximum of 12 watts. Available in a variety of pressure ranges and process connections, and cleaned and double bagged in a Class 100 environment, this device provides solid state switching for cleanroom and hazardous applications.

Features

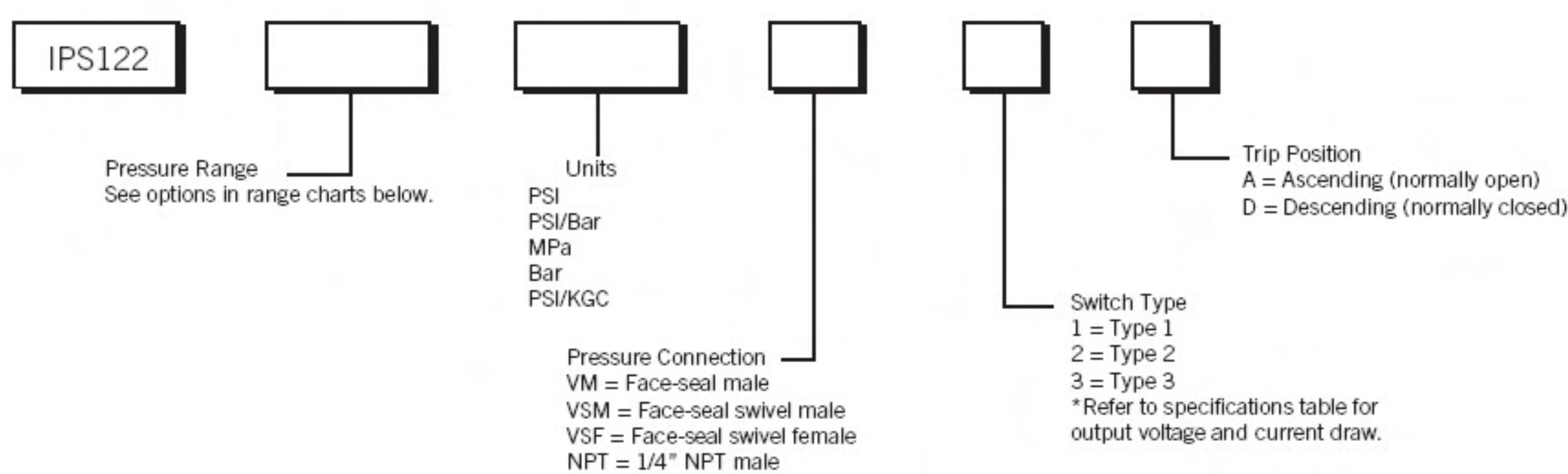
- Local and remote alarm capability
- Local indication of pressure reading and switch position (normally open or normally closed)
- Solid state design for hazardous environments
- Switches welded in oxygen-free chambers to meet rigid cleanliness and safety guidelines
- 1 year warranty

Applications

Gas delivery systems and tools used for semiconductor processing, including:

- Bulk gas
- Gas cabinets
- Gas distribution
- Gas panels

Product Configurations



Range	Figure Intervals*	Smallest Interval*
30-0-15	10 in Hg-3 psi	2 in Hg-1 psi
30-0-30	10 in Hg-5 psi	2 in Hg-1 psi
30-0-60	30 in Hg-10 psi	5 in Hg-2 psi
30-0-100	30 in Hg-20 psi	5 in Hg-2 psi
30-0-160	10 in Hg-25 psi	10 in Hg-5 psi
30-0-200	30 in Hg-40 psi	10 in Hg-5 psi
30-0-300	10 in Hg-50 psi	15 in Hg-10 psi

Range	Figure Intervals*	Smallest Interval*
0-30	5	1
0-60	10	2
0-100	20	2
0-160	40	5
0-200	40	5
0-300	50	10

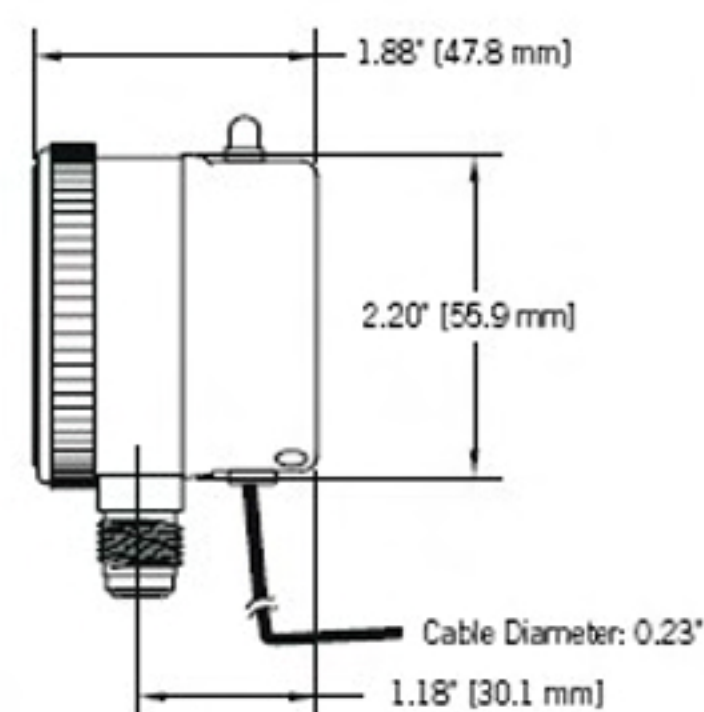
Range	Figure Intervals*	Smallest Interval*
0-400	100	10
0-600	100	20
0-1000	200	20
0-3000	500	100
0-4000	1000	100

* All figure intervals and smallest interval depicted in this chart represent typical artwork layout and may not be accurate for all gauges.

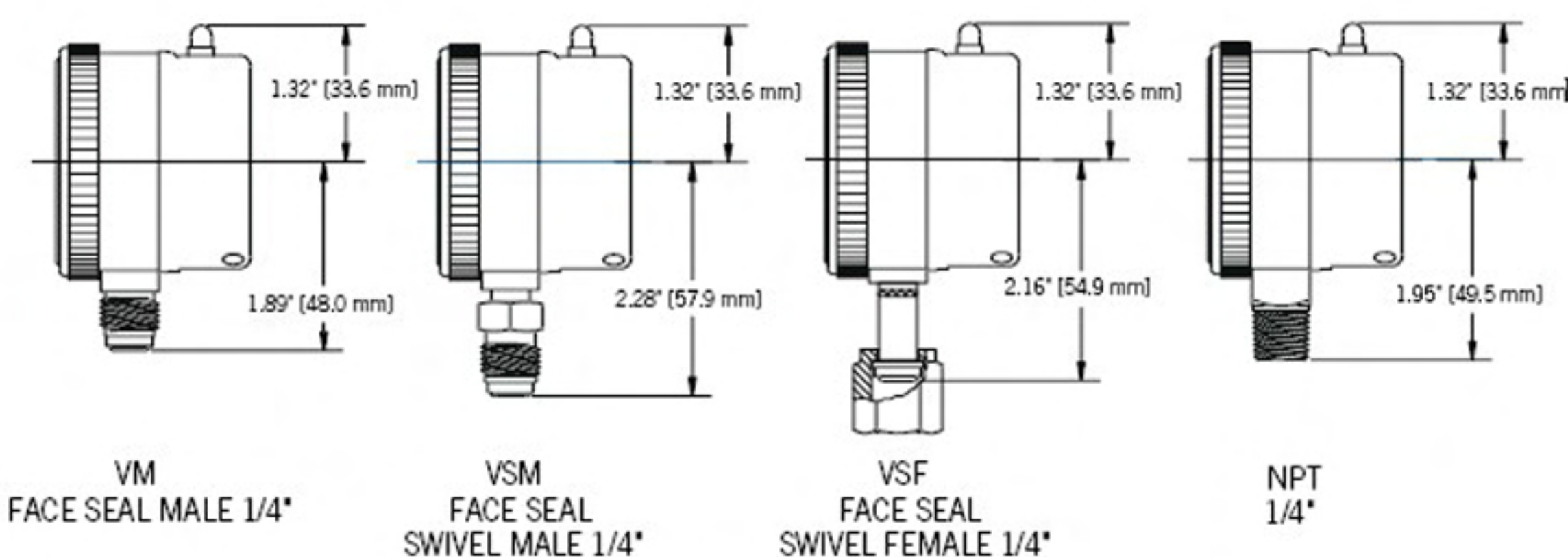
Product Dimensions



FRONT VIEW



SIDE VIEW



IPS122 2 Inch Stainless Steel Indicating Pressure Switch Specifications

Case Material	300 series stainless steel, electropolished
Bezel and Lens Material	One-piece polycarbonate, screw-on
Socket	316L stainless steel
Movement	300 Series Stainless Steel
Bourdon Tube	316L stainless steel
Proof Pressure	110%
Burst Pressure	400%
Connections	Face-seal male, face-seal swivel male, face-seal swivel female and 1/4" NPT male
Dial	White with black marking "Use No Oil" is red
Accuracy	1% of full scale
Helium Leak Check	4 x 10 ⁻⁹ Inboard Std. cc/sec
Cleaning	Cleaned for oxygen service to ANSI B40.1 level IV specifications
Response Time	Less than 200 milliseconds
Operating (ambient)	0° to 160°F (-18° to 71°C)
Compensating	20° to 135°F (-7° to 57°C)
Storage	-20° to 175°F (-29° to 79°C)

Switch Power Input

Off-On Switch Type 1	9 to 30 VDC
Logic Output8 - 30 VDC Type 2	9 to 30 VDC
Logic Output 5 VDC Type 3	4.8 to 5.2 VDC

Switch Power Rating

Off-On Switch Type 1	12 watts or 500 mA 175 mA max. for intrinsically safe applications
Logic Output8 - 30 VDC Type 2	60 mA (sink). Open collector NPN
Logic Output 5 VDC Type 3	60 mA (sink). Open collector NPN

Output Voltage and Current Draw

Off-On Switch Type 1	0 to 9-30 VDC; 30 mA (off), 45 mA (on)
Logic Output8 - 30 VDC Type 2	0 to 9-30 VDC; 30 mA (off), 45 mA (on)
Logic Output 5 VDC Type 3	0 to 5 VDC; 3 mA (off), 11 mA (on)

Switch leads	2 m [6'] cable, tinned ends, 0.23" in diameter
Switch Differential	3% of scale; 0.25% of scale repeatability
Trip Position	External adjust. Select to trip on ascending (N.O.) or descending (N.C.) pressure. (Field changeable by internal jumper.)
Pressure Ranges Available	Vacuum to 4,000 PSI (276 bar). Metric also available. Offered in single scale only. (See chart on the left)

Approximate Shipping Weight	0.65 lbs. (0.29 kg)
-----------------------------	---------------------



CELERITY, INC.
915 Enterprise Boulevard
Allen, TX 75013 USA
Telephone 972.359.4000
Facsimile 972.359.4100
www.celerity.net

TEESING

Teesing BV
Verrijn Stuurtlaan 40
2288 EL Rijswijk
The Netherlands

T: +31 (0)70 413 07 50
F: +31 (0)70 413 07 30
E: info@teesing.com
W: www.teesing.com



For technical assistance, contact Celerity Technical Support at 972.359.4000.

Celerity is a trademark of Celerity, Inc. All other product or service names mentioned in this document may be trademarks of the companies with which they are associated. System descriptions are typical and subject to change without notice.